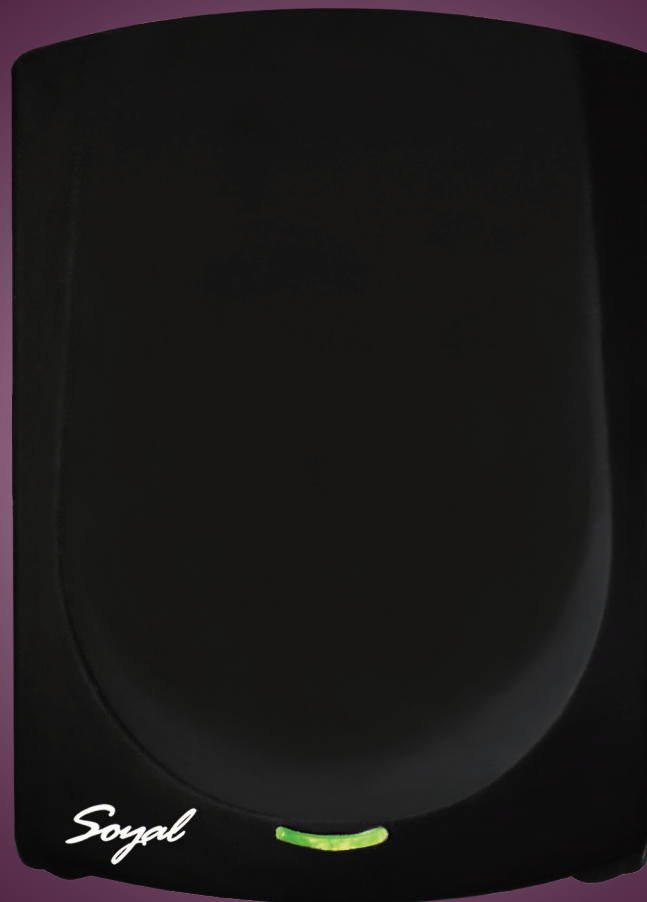


AR-725P

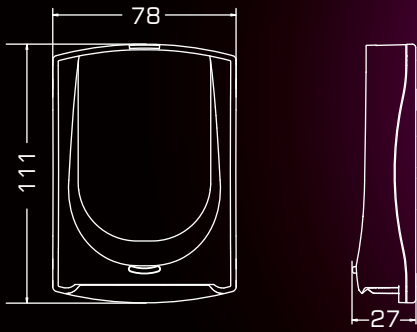
 **MIFARE Programmer**



- Allows controlling via PC software
- Supports SOYAL Open System Rules (SOR)
- Easily integrates with any customized software
- Supports auto error checking and backup/restore functions



Dimensions (mm)



Global Access Management



Global Access Management



Application

Global Access Management



Global Access Management



Specification

Frequency	13.56MHz
Standard	ISO14443A Option ISO15693 DESFire NFC
Power Supply	5VDC
Power consumption	< 1.5W
Communication Interface	USB 2.0 Virtual COM port
Operating Temperature	-20°C to +60 °C
Supported Tague	MF1
Indicator	1Bi-LED & 1Beeper
Housing Material	ABS
Color	Black (Softtouch paint finish)
Dimensions (mm)	111(L)X78(W)X27(H)
Weight(g)	230±10
SOR Patent Number	I 365414 (Taiwan)

Close - up

Top



Button



SOR Advantages



6-layer managing structures
The cards built-in agent code issuance (Up to 6 sub-layers) via SOR Programmer.



User ID assignable
Specify MIFARE random card numbers into sequential numbers and make the user-friendly management.



Expiration setup
You can set up Validity in MIFARE card by SOR.



Global access control
One card issuance by SOR programmer could be passed in other branch you specified.

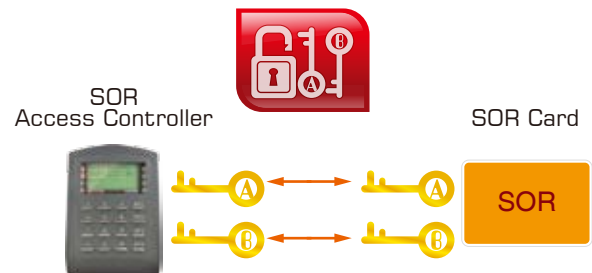


Built-in command within cards
Capacity to set up stand-alone device by the cards built-in commands.



Deposit
Easy develop the E-commercial application.

SOR Concept



High Security KeyA/B Matching Mechanism